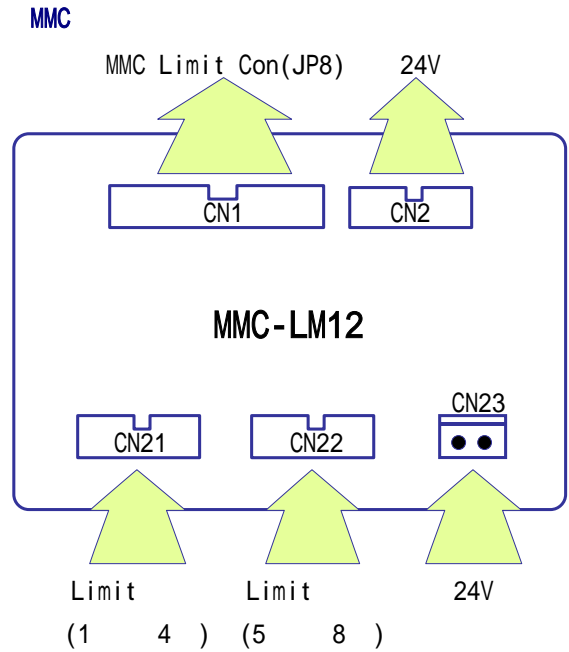




MMC-LM12(Limit Sensor 24

Noise

)



CN1 PIN

1	+5V	11	+5V	21	+5V	31	+5V
2	0 +limit	12	2 +limit	22	4 +limit	32	6 +limit
3	0 Home	13	2 Home	23	4 Home	33	6 Home
4	0 -limit	14	2 +limit	24	4 +limit	34	6 +limit
5	GND	15	GND	25	GND	35	GND
6	+5V	16	+5V	26	+5V	36	+5V
7	1 +limit	17	3 +limit	27	5 +limit	37	7 +limit
8	1 Home	18	3 Home	28	5 Home	38	7 Home
9	1 -limit	19	3 -limit	29	5 -limit	39	7 -limit
10	GND	20	GND	30	GND	40	GND

CN2 PIN

1	24V	6	24V	11	24V GND	16	24V GND
2	24V	7	NC	12	24V GND	17	NC
3	24V	8	NC	13	24V GND	18	NC
4	24V	9	NC	14	24V GND	19	NC
5	24V	10	NC	15	24V GND	20	NC

CN21 PIN

1	24V	6	24V	11	24V	16	24V
2	0 +limit	7	1 +limit	12	2 +limit	17	3 +limit
3	0 Home	8	1 Home	13	2 Home	18	3 Home
4	0 -limit	9	1 -limit	14	2 +limit	19	3 -limit
5	24V GND	10	24V GND	15	24V GND	20	24V GND

CN22 PIN

1	24V	6	24V	11	24V	16	24V
2	5 +limit	7	6 +limit	12	7 +limit	17	8 +limit
3	5 Home	8	6 Home	13	7 Home	18	8 Home
4	5 -limit	9	6 -limit	14	7 +limit	19	8 -limit
5	24V GND	10	24V GND	15	24V GND	20	24V GND

CN23 PIN

1	24V	2	24V GND
---	-----	---	---------

